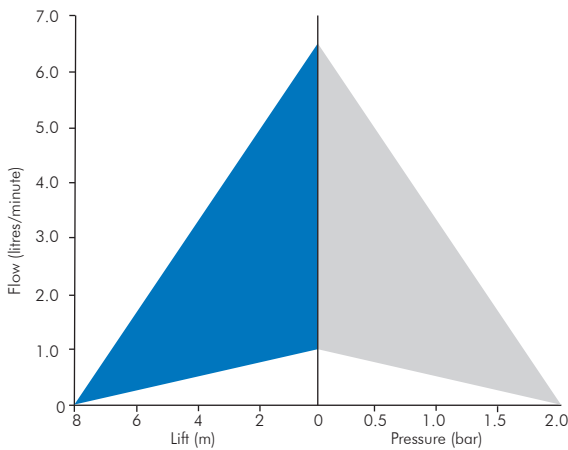


BlueDiamond OEM Pumps Inc

Performance Ranges Available



Features

- Revolutionary patented Rotary Diaphragm pumping principle
- Extremely high performance from a compact unit, self primes up to 8m
- Unique reinforced diaphragm provides 10 times the service life of a peristaltic pump
- Self priming and reversible pump action
- Liquid pump variants in both AC or DC voltage suitable for hot and cold liquids
- No valves, non clogging, will even pump jellies and dissolved solids
- Rough dosing versions available

Application Ideas

- Air conditioning
- Body cooling
- Haematology equipment

RD Series

Oil-Free - Rotary Diaphragm Pumps

RD1



RD2,3,5



BlueDiamond
OEM Pumps Inc

+1 770 831 1122

@BDPumpsinc

inquiries@bluediamondpumps.com

www.bluediamondpumps.com



RD Series

Oil-Free - Rotary Diaphragm Pumps

Model no.	Performance		
	Flow (l/min)	Lift (m)	Pressure (bar)
RD1	1.0	8.0	2.0
RD2	1.9	8.0	2.0
RD3	3.0	8.0	2.0
RD5	6.5	8.0	2.0

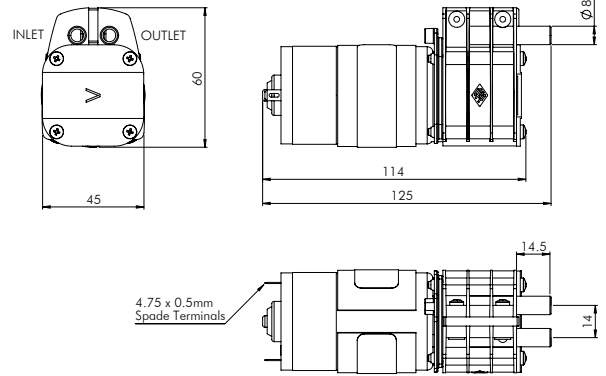
Model no.	Motor options		
	Operating Current	Max. Load	Fuse Rating
RD1 12V/24V	0.4A	0.9A	1.0A
RD2 12V	1.5A	2.0A	3.0A
RD2 24V	0.75A	1.5A	3.0A
RD5 12V/24V	4.0A	3.0A	10.0A

Connections

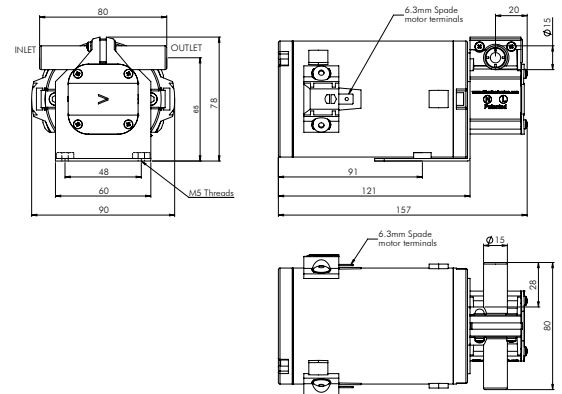
RD1, RD2, RD3, RD5 - 8mm straight connector
 RD1, RD2, RD3, RD5 - 15mm straight connector
 Various connector orientations are available for ease of installation

Dimensions (mm)

RD1



RD2, RD3, RD5 DC



Please note - it is important that you ensure the motor specification stated and the range of materials offered in the pump are compatible with the performance, environmental limitations and chemical resistance requirements of the application.

For further information or details of our extensive range of pumps, contact our technical sales office who will be pleased to help you select the most suitable pump for your application.